

Power Supplies

	Model Number	DC Output Voltage	Output Current	Output Power	Isolation	Drives Accomodated
120 VAC Single Phase Input	PS2X3W24	24 VDC	12 A	300 W	YES	2
	PS4X3W24	24 VDC	12 A	300 W	YES	4
	PS2X3W48	48 VDC	6 A	300 W	YES	2
	PS4X3W48	48 VDC	6 A	300 W	YES	4
	PS2X3W72	72 VDC	3 A	220 W	YES	2
	PS2X3W96	96 VDC	3 A	300 W	YES	2
240 VAC Single Phase Input	PS2X3H24	24 VDC	12 A	300 W	YES	2
	PS2X3H48	48 VDC	6 A	300 W	YES	2
	PS4X3H48	48 VDC	6 A	300 W	YES	4
	PS2X3H72	72 VDC	3 A	220 W	YES	2
	PS2X3H96	96 VDC	3 A	300 W	YES	2



PS2X3x24,48,72,96



PS4X3x24,48

Description

The PS2X3 and PS4X3 unregulated power supplies have been designed to complement **ADVANCED Motion Controls'** servo drives and to provide the user with a complete solution to single and multi-axis DC drive applications. These unregulated DC power sources are an excellent solution for most applications as **ADVANCED** Motion Controls' servo drives compensate for power supply output variations and AC ripple components.

PS2X3 Series power supplies are designed to provide the best cost-per-watt value while mechanically hosting two servo drives. The **PS4X3** power supplies are identical to the PS2X3 power supplies except they have an extended mounting plate to accommodate two additional drives. Both series have multiple primary windings for either 120 VAC (PS2X3W) or 240 VAC (PS2X3H) 50/60 Hz operation. These power supplies feature four identical secondary windings that can be connected in series or in parallel for different output voltages and currents.

Features

- ▲ Multiple Primary Windings: Either 120 VAC or 240 VAC, 50/60 Hz Operation
- ▲ 24 VDC Secondary Output Winding Taps
- ▲ Small Size, Low Cost, Ease of Use
- ▲ Isolation Transformer on All PS2X300W and PS4X300W Models
- ▲ Slow Blow Fuse on AC Input

Approvals and Compliances

	US and Canadian safety compliance with UL 508c, the industrial standard for power conversion electronics. UL registered under file number E140173. Note that machine components compliant with UL are considered UL registered as opposed to UL listed, as would be the case for commercial products.
	Compliant with European CE for both the Class A EMC Directive 2004/108/EC on Electromagnetic Compatibility (specifically EN 61000-6-4:2007 and EN 61000-6-2:2005) and LVD requirements of directive 2006/95/EC (specifically EN 60204-1:2006), a low voltage directive to protect users from electrical shock.
	RoHS (Reduction of Hazardous Substances) is intended to prevent hazardous substances such as lead from being manufactured in electrical and electronic equipment.

SPECIFICATIONS

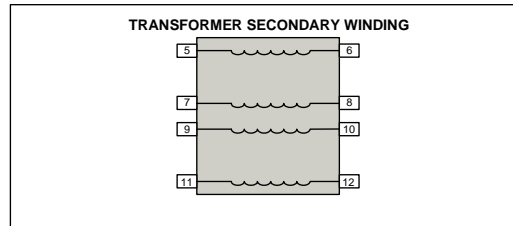
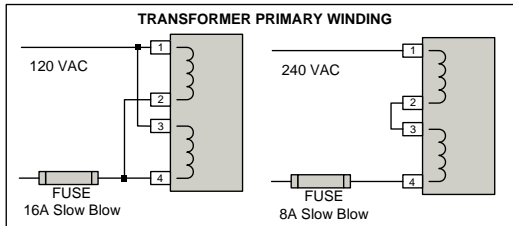
Power Specifications (120 VAC Single Phase Power Supplies)					
Description	Units	PS2X3W24 / PS4X3W24	PS2X3W48 / PS4X3W48	PS2X3W72	PS2X3W96
AC Supply Voltage Input	VAC	30 - 125			
AC Supply Input Frequency	Hz	50-60 Hz			
AC Supply Input Phases	-	Single Phase			
Output Voltage	VDC	24	48	72	96
Current Output	A	12	6	3	3
Power Specifications (240 VAC Single Phase Power Supplies)					
Description	Units	PS2X3H24	PS2X3H48 / PS4X3H48	PS2X3H72	PS2X3H96
AC Supply Voltage Input	VAC	45 - 240			
AC Supply Input Frequency	Hz	50-60 Hz			
AC Supply Input Phases	-	Single Phase			
Output Voltage	VDC	24	48	72	96
Current Output	A	12	6	3	3

Notes

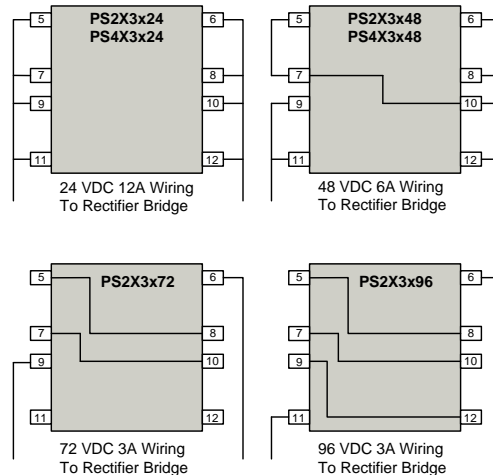
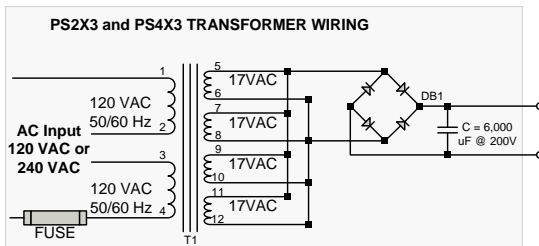
- Power ratings are identical for PS2X300W and PS4X300W series.

Mechanical Specifications					
Description	Units	PS2X3	PS2X3	PS4X3	PS4X3
AC Input Connector	-	AC Cord (not included with power supply)			
DC Output Connector	-	Flying Leads			
Size (H x W x D)	mm (in)	228.6 x 146.1 x 88.1 (9.00 x 5.75 x 3.47)		286.4 x 146.1 x 88.1 (11.28 x 5.75 x 3.47)	
Weight	kg (lbs)	4.1 (9)		4.4 (9.6)	

BLOCK DIAGRAMS

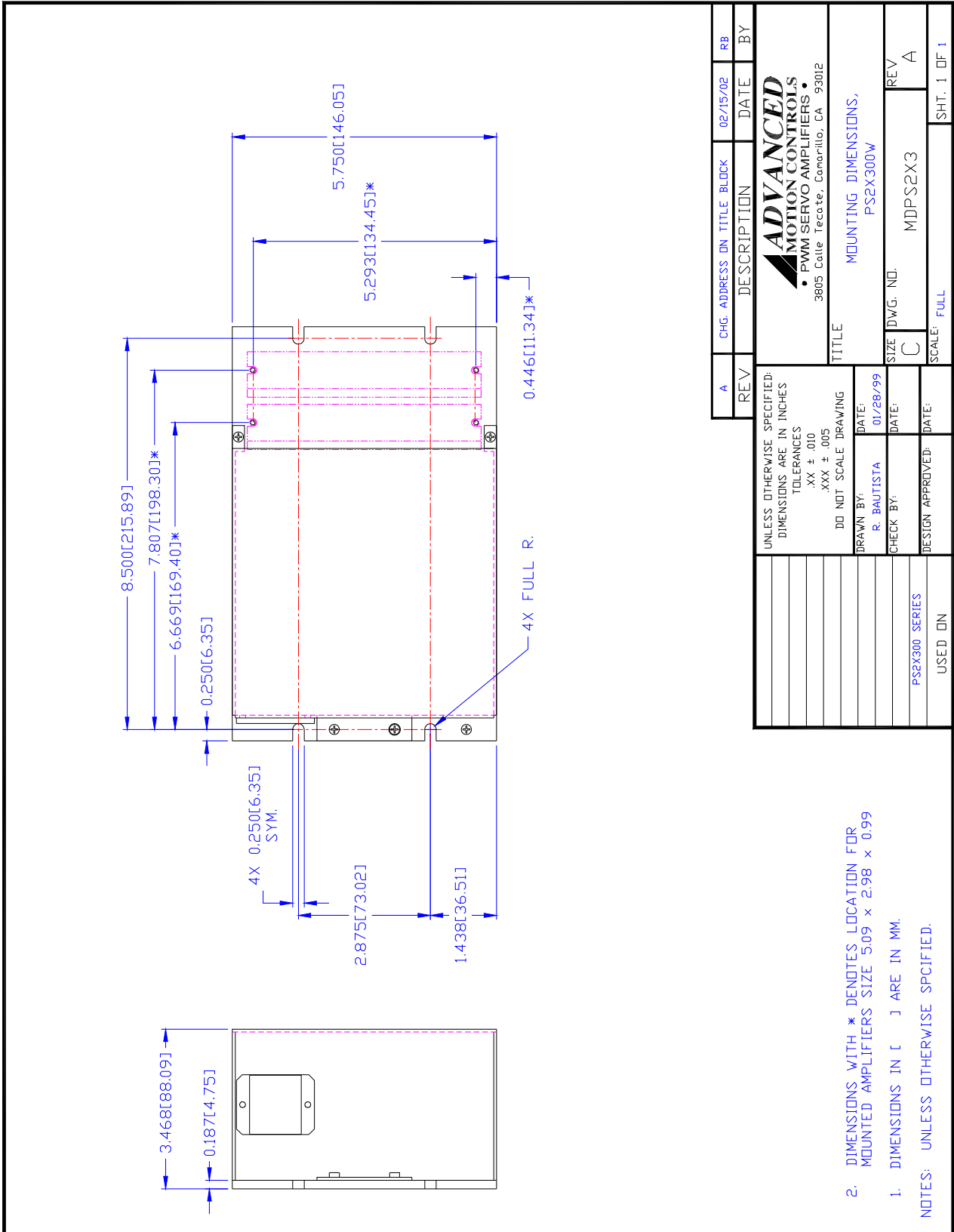


*Contact factory prior to rewiring transformer primary or secondary

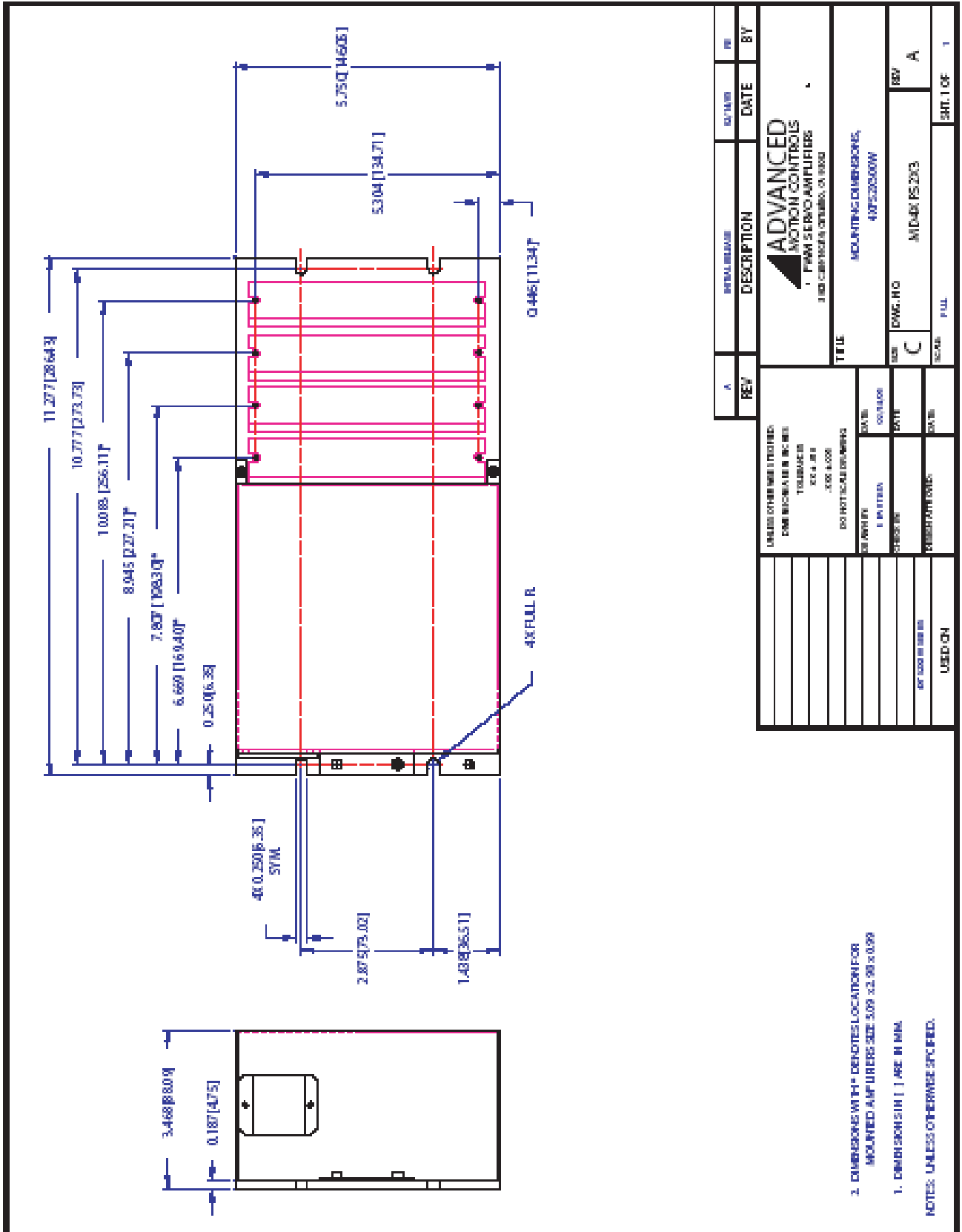


MOUNTING DIMENSIONS

Mounting Dimensions for PS2X3 Models



Mounting Dimensions for PS4X3 Models



CUSTOMIZATION INFORMATION

ADVANCED Motion Controls' products are available in many configurations. All models listed in the selection tables of the website are readily available, standard product offerings.

ADVANCED Motion Controls also has the capability to promptly develop and deliver specified products for OEMs with volume requests. Our Applications and Engineering Departments will work closely with your design team through all stages of development in order to provide the best servo drive solution for your system. Equipped with on-site manufacturing for quick-turn customs capabilities, *ADVANCED* Motion Controls utilizes our years of engineering and manufacturing expertise to decrease your costs and time-to-market while increasing system quality and reliability. Feel free to contact Applications Engineering for further information and details.

Examples of Customized Products

- | | |
|--------------------------------|-----------------------------------|
| ▲ Optimized Footprint | ▲ Tailored Project File |
| ▲ Private Label Software | ▲ Silkscreen Branding |
| ▲ OEM Specified Connectors | ▲ Optimized Base Plate |
| ▲ No Outer Case | ▲ Increased Current Limits |
| ▲ Increased Current Resolution | ▲ Increased Voltage Range |
| ▲ Increased Temperature Range | ▲ Conformal Coating |
| ▲ Custom Control Interface | ▲ Multi-Axis Configurations |
| ▲ Integrated System I/O | ▲ Reduced Profile Size and Weight |

Available Accessories

ADVANCED Motion Controls offers a variety of accessories designed to facilitate drive integration into a servo system. Visit www.a-m-c.com to see which accessories will assist with your application design and implementation.

